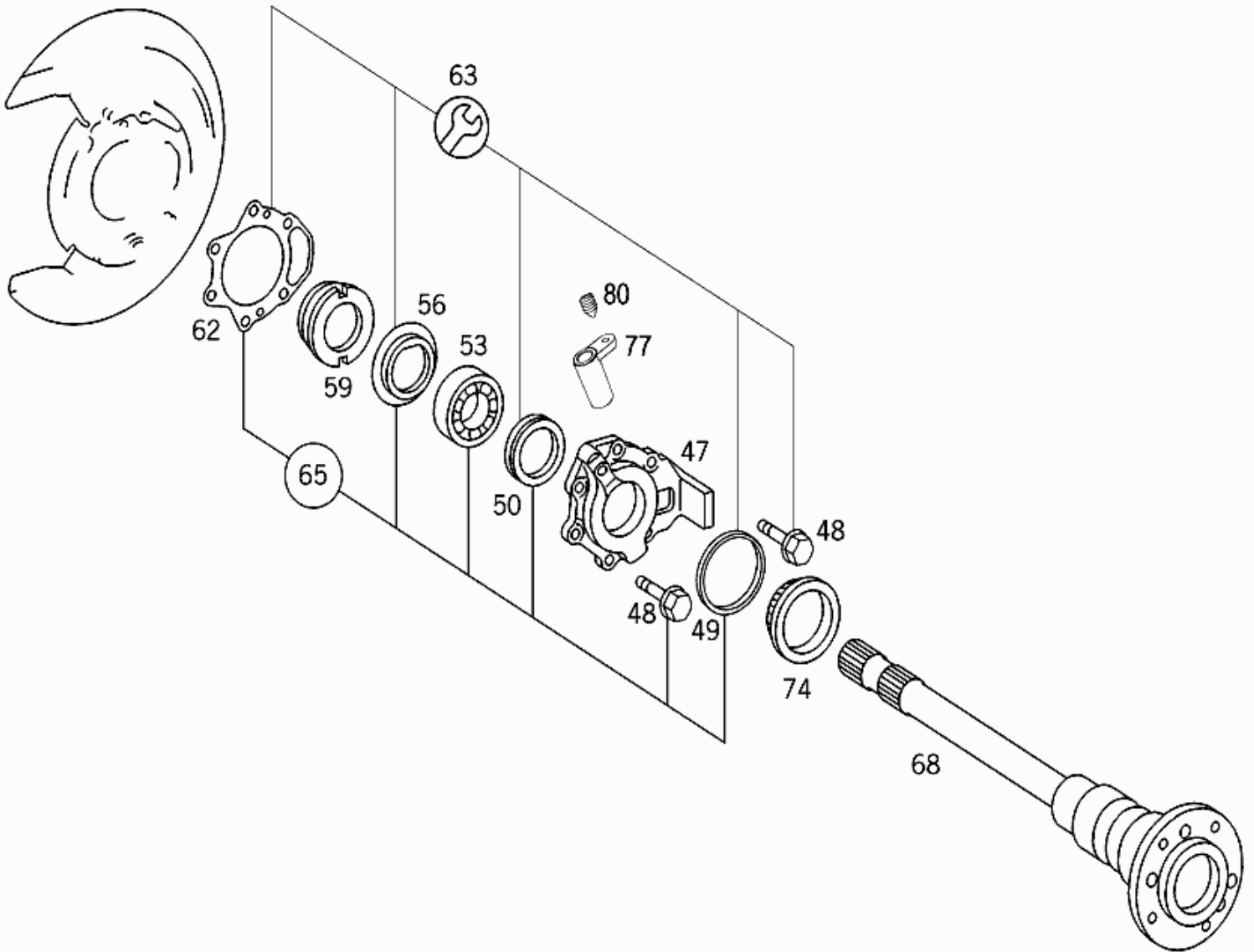


- Picture -

Mode	MD mode	Market	Europe
Identification number	741408	Catalog	01P
Assortment class	Van	Group	35 - REAR AXLE
Major assembly	HA - Rear axle	Subgroup	500 - WHEEL BEARINGS,AXLE SHAFTS
Picture number	B35500000055.060721		



- Parts list -

Mode	MD mode	Market	Europe
Identification number	741408	Catalog	01P
Assortment class	Van	Group	35 - REAR AXLE
Major assembly	HA - Rear axle	Subgroup	500 - WHEEL BEARINGS,AXLE SHAFTS

Item no.	Part number	Designation/description	Quantity	Version
74	A 902 357 02 51	. MEASURING RING AXLE SHAFT 62,5 MM [005] Up to rear axle: L 653742 504008 03	002	
74	A 902 357 02 51	. MEASURING RING AXLE SHAFT 62,5 MM [005] Up to rear axle: L 653742 504008 04	002	
74	A 902 357 04 51	. MEASURING RING AXLE SHAFT 77,0 MM Replaced by: A 902 357 05 51 [006, 414] As of rear axle L 653743 504008 03	-	
74	A 902 357 04 51	. MEASURING RING AXLE SHAFT 77,0 MM Replaced by: A 902 357 05 51 [006, 414] As of rear axle L 653743 504008 04	-	
74	A 902 357 05 51	. MEASURING RING AXLE SHAFT 77,0 MM Replaced by: A 902 357 06 51 [006] As of rear axle L 653743 504008 03	-	
74	A 902 357 05 51	. MEASURING RING AXLE SHAFT 77,0 MM Replaced by: A 902 357 06 51 [006] As of rear axle L 653743 504008 04	-	
74	A 902 357 06 51	. MEASURING RING AXLE SHAFT 77,0 MM [006] As of rear axle L 653743 504008 03	002	
74	A 902 357 06 51	. MEASURING RING AXLE SHAFT 77,0 MM [006] As of rear axle L 653743 504008 04	002	
74	A 463 357 03 51	. MEASURING RING ANTI-LOCK BRAKING SYSTEM 504017 01	002	